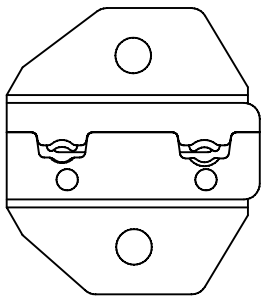
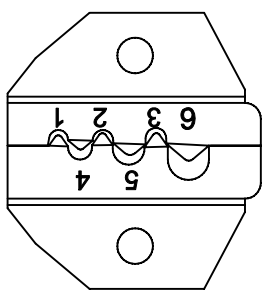
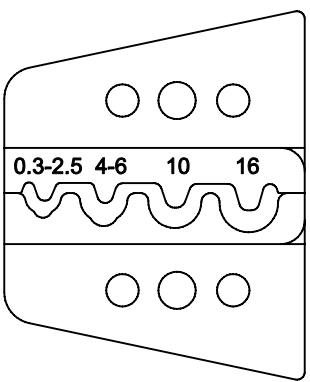
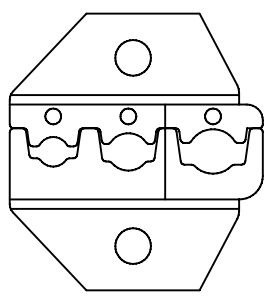
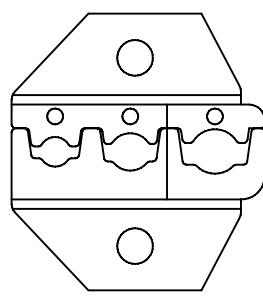


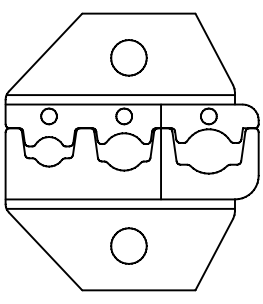
|                                                                                   |                                         |
|-----------------------------------------------------------------------------------|-----------------------------------------|
| Die Set No.                                                                       | 6105                                    |
|  |                                         |
| Specification                                                                     | AWG 22-14<br>DIN 0.5-2.5mm <sup>2</sup> |
| Crimping Cable size                                                               | Insulated flag terminals                |

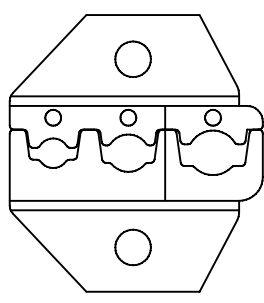
|                                                                                   |                                                     |
|-----------------------------------------------------------------------------------|-----------------------------------------------------|
| Die Set No.                                                                       | 6110                                                |
|  |                                                     |
| Specification                                                                     | AWG 22-8<br>DIN 0.5-10mm <sup>2</sup>               |
| Crimping Cable size                                                               | Pin terminal insulated or<br>Non-insulated ferrules |

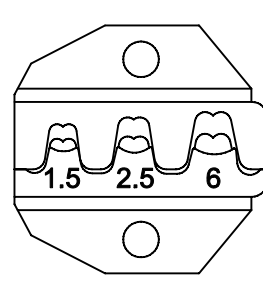
|                                                                                     |                                       |
|-------------------------------------------------------------------------------------|---------------------------------------|
| Die Set No.                                                                         | 6116                                  |
|  |                                       |
| Specification                                                                       | AWG 24-6<br>DIN 0.3-16mm <sup>2</sup> |
| Crimping Cable size                                                                 | Non insulated terminals               |

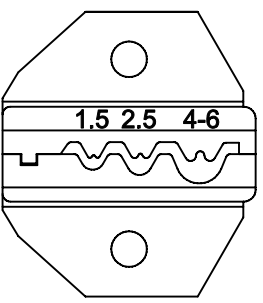
|                                                                                    |                                          |
|------------------------------------------------------------------------------------|------------------------------------------|
| Die Set No.                                                                        | 6124                                     |
|  |                                          |
| "1" "2" "6"                                                                        |                                          |
| Specification                                                                      | AWG 22-10<br>DIN 0.5-6mm <sup>2</sup>    |
| Crimping Cable size                                                                | Insulated terminals<br>/color code nests |

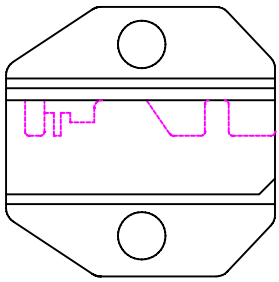
|                                                                                    |                                          |
|------------------------------------------------------------------------------------|------------------------------------------|
| Die Set No.                                                                        | 6125                                     |
|  |                                          |
| "1" "2" "5"                                                                        |                                          |
| Specification                                                                      | AWG 22-10<br>DIN 0.5-6mm <sup>2</sup>    |
| Crimping Cable size                                                                | Insulated terminals<br>/color code nests |

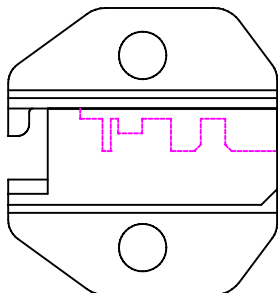
|                                                                                      |                                          |
|--------------------------------------------------------------------------------------|------------------------------------------|
| Die Set No.                                                                          | 6126                                     |
|  |                                          |
| "K" "K" "K"                                                                          |                                          |
| Specification                                                                        | AWG 22-10<br>DIN 0.5-6mm <sup>2</sup>    |
| Crimping Cable size                                                                  | Insulated terminals<br>/color code nests |

|                                                                                     |                                          |
|-------------------------------------------------------------------------------------|------------------------------------------|
| Die Set No.                                                                         | 6127                                     |
|  |                                          |
| " " " " " " ... "                                                                   |                                          |
| Specification                                                                       | AWG 22-10<br>DIN 0.5-6mm <sup>2</sup>    |
| Crimping Cable size                                                                 | Insulated terminals<br>/color code nests |

|                                                                                     |                                                             |
|-------------------------------------------------------------------------------------|-------------------------------------------------------------|
| Die Set No.                                                                         | 6128                                                        |
|  |                                                             |
| Specification                                                                       | AWG 22-10<br>DIN 0.5-6mm <sup>2</sup>                       |
| Crimping Cable size                                                                 | Non insulated open barrel<br>connectors, commercial<br>type |

|                                                                                       |                                       |
|---------------------------------------------------------------------------------------|---------------------------------------|
| Die Set No.                                                                           | 6156                                  |
|  |                                       |
| Specification                                                                         | AWG 16-10<br>DIN 1.5-6mm <sup>2</sup> |
| Crimping Cable size                                                                   | Non insulated terminals               |

|                                                                                   |                                       |
|-----------------------------------------------------------------------------------|---------------------------------------|
| Die Set No.                                                                       | 6406F                                 |
|  |                                       |
| Specification                                                                     | RJ-11 ,2,4 & 6 position modular plugs |
| Crimping Cable size                                                               |                                       |

|                                                                                   |                                                                    |
|-----------------------------------------------------------------------------------|--------------------------------------------------------------------|
| Die Set No.                                                                       | 6408F                                                              |
|  |                                                                    |
| Specification                                                                     | RJ-45 , 8 position Keyed or nonkeyed modular plugs (excluding AMP) |
| Crimping Cable size                                                               |                                                                    |

|                     |  |
|---------------------|--|
| Die Set No.         |  |
| Specification       |  |
| Crimping Cable size |  |

|                     |  |
|---------------------|--|
| Die Set No.         |  |
| Specification       |  |
| Crimping Cable size |  |

|                     |  |
|---------------------|--|
| Die Set No.         |  |
| Specification       |  |
| Crimping Cable size |  |

|                     |  |
|---------------------|--|
| Die Set No.         |  |
| Specification       |  |
| Crimping Cable size |  |

|                     |  |
|---------------------|--|
| Die Set No.         |  |
| Specification       |  |
| Crimping Cable size |  |

|                     |  |
|---------------------|--|
| Die Set No.         |  |
| Specification       |  |
| Crimping Cable size |  |

|                     |  |
|---------------------|--|
| Die Set No.         |  |
| Specification       |  |
| Crimping Cable size |  |